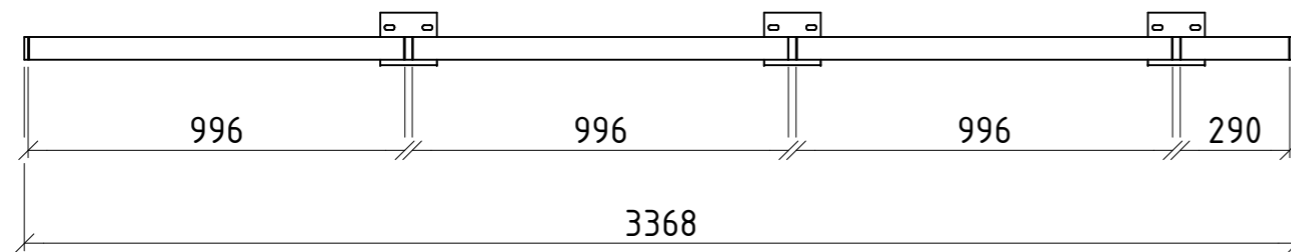
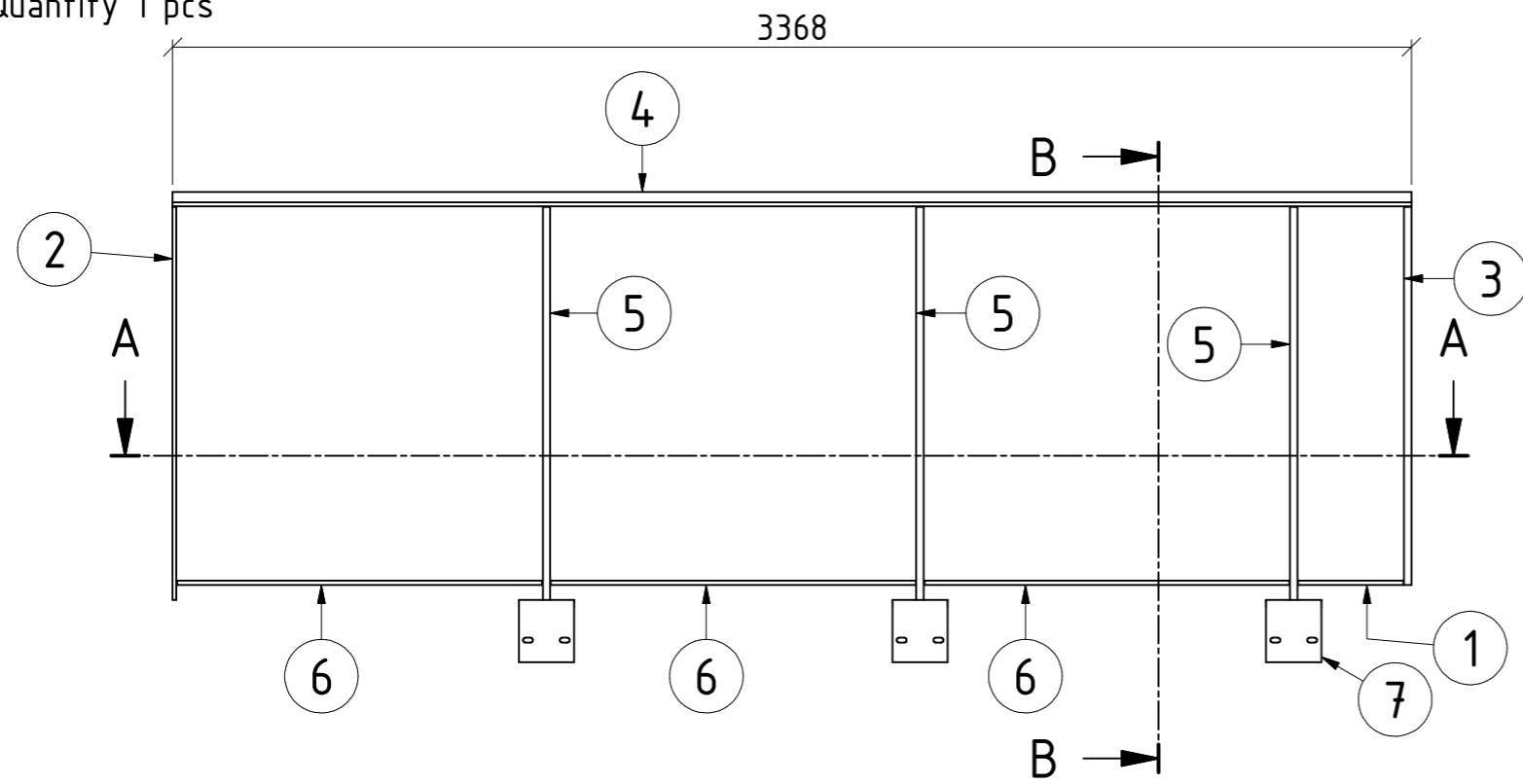


Behrn Arena Loger

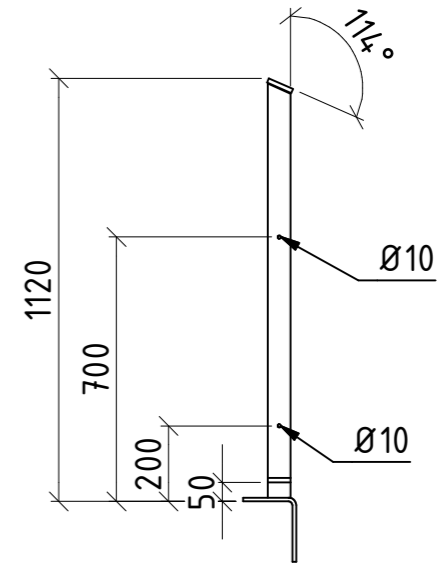
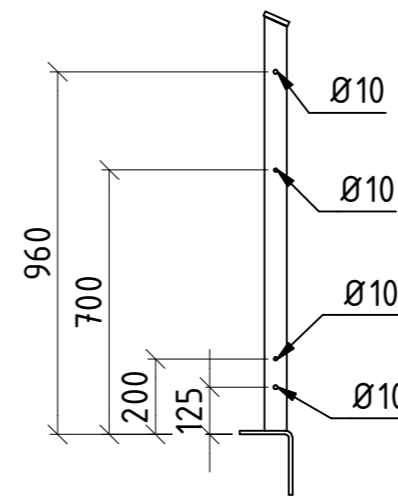
Element 3

Quantity 1 pcs

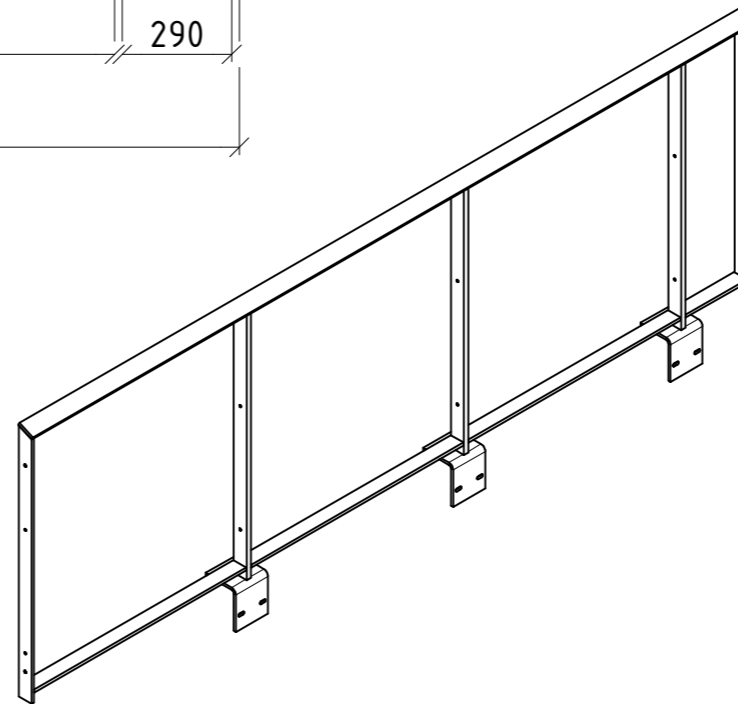


A-A ( 1 : 20 )

On piston 60x10 holes in this measurement

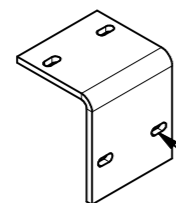
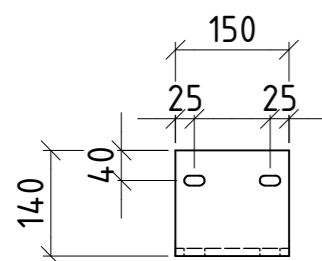
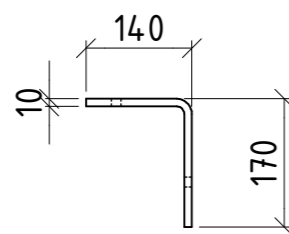
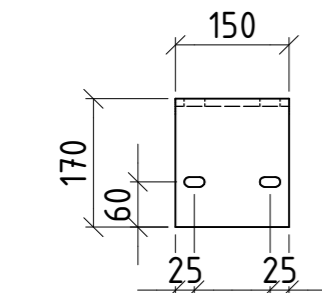


B-B ( 1 : 20 )



Surface treatment  
Warmgalvanizing and Pazywowany

|    |    |                  |         |          |            |
|----|----|------------------|---------|----------|------------|
| 7  | 3  | Footplate        |         | 0,43 kg  | See detail |
| 6  | 3  | Flatiron - 60x12 | 992 mm  | 5,61 kg  |            |
| 5  | 3  | Flatiron - 60x20 | 1096 mm | 10,18 kg |            |
| 4  | 1  | Flatiron - 70x12 | 3368 mm | 22,21 kg |            |
| 3  | 1  | Flatiron - 60x20 | 1056 mm | 9,8 kg   |            |
| 2  | 1  | Flatiron - 60x10 | 1096 mm | 5,09 kg  |            |
| 1  | 1  | Flatiron - 60x12 | 286 mm  | 1,62 kg  |            |
| Po | An | Artikel          | Längd   | Vikt     | Anmärkning |



All holes oval 30x14

|                 |                   |                      |               |              |
|-----------------|-------------------|----------------------|---------------|--------------|
|                 |                   | STATUS               |               |              |
|                 |                   | Förfrågningsunderlag |               |              |
| PROJEKTANSVARIG | DESIGN            | LITT./DET.           |               |              |
| Per Gustavsson  | C.E               | PROJEKTANSVARIG      | TELEFON       | ORIG. FORMAT |
|                 | 070-536 42 88     | Per Gustavsson       | 070-536 42 88 | 1 : 20       |
| PROJEKT         | Behrn Arena Loger | SKALA                | RITNINGNUMMER | REV.         |
| Element 3       |                   | 1 : 20               | T409-E3       |              |
| PROJEKT         | Behrn Arena Loger | SKALA                | RITNINGNUMMER | REV.         |
| Element 3       |                   | 1 : 20               | T409-E3       |              |