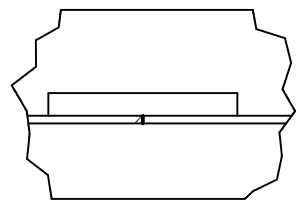


Skärmvägg  
Quantity 9 pcs



F ( 1:2 )

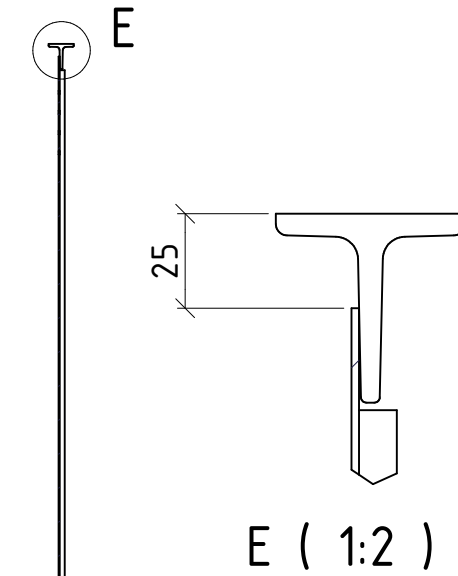
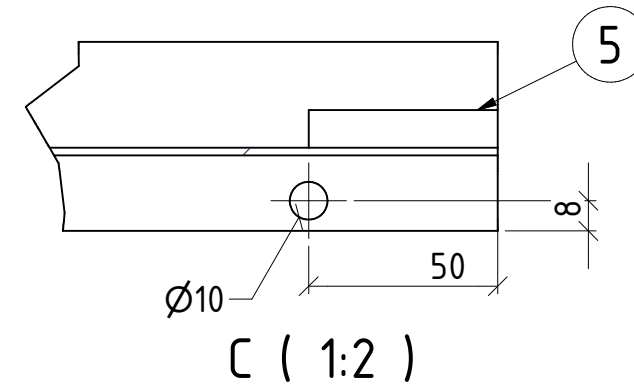
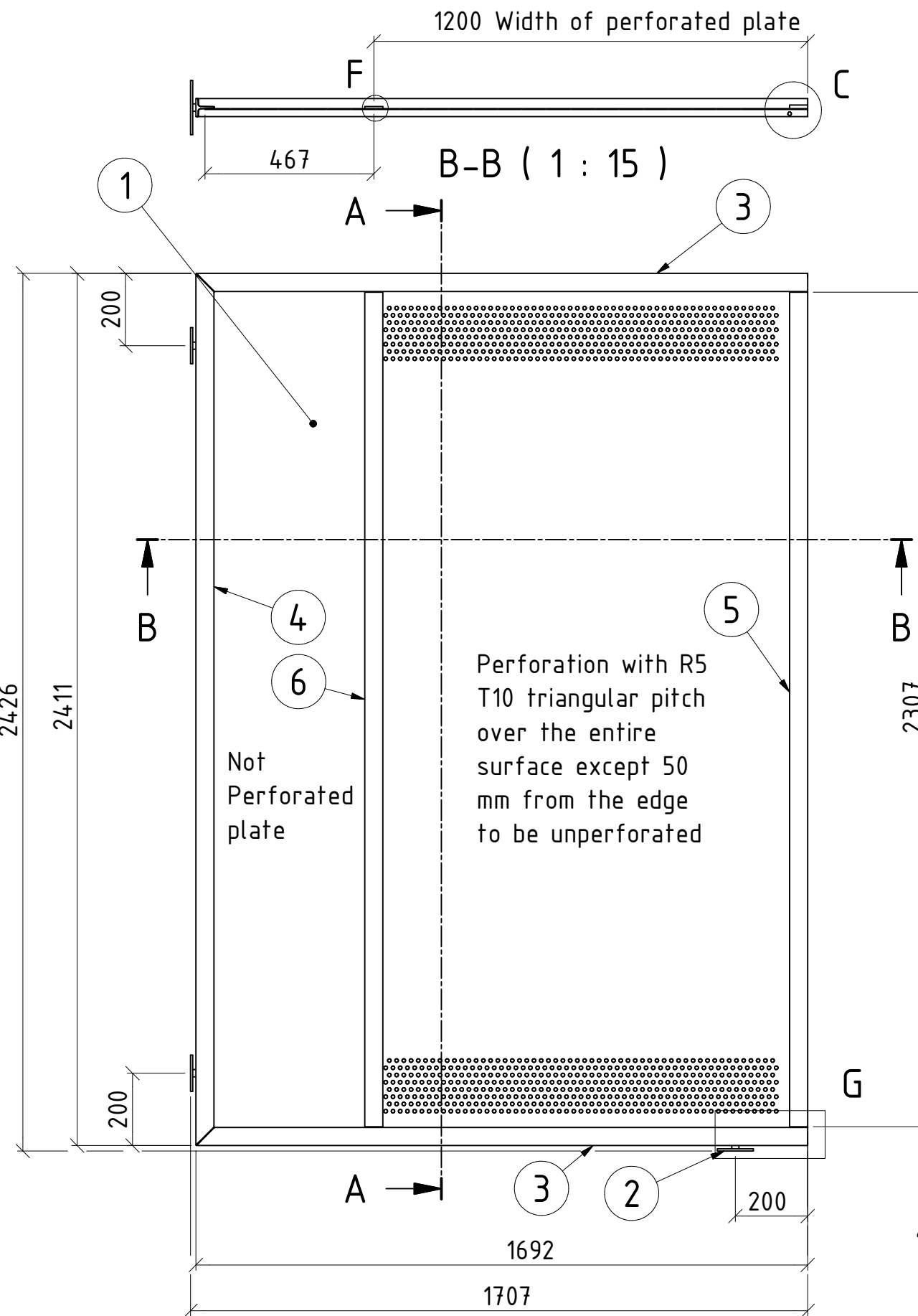
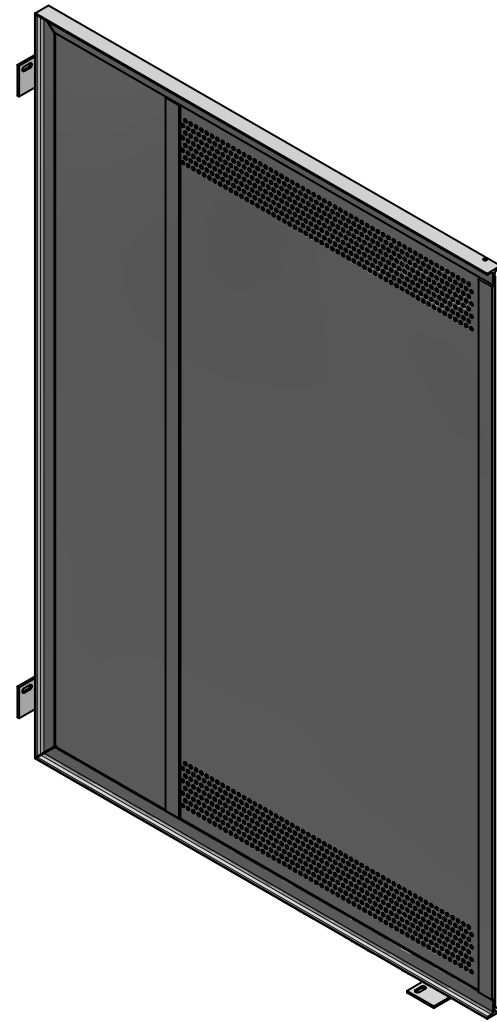
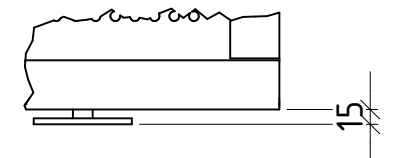


Plate dimensions  
Perforated plate  
1200x2361mm

Not perforated  
2361x467mm



Surface treatment  
Warmgalvanizing light blaster and  
painted in RAL 9016 Gloss 30

|    |    |                  |         |          |                    |
|----|----|------------------|---------|----------|--------------------|
| 6  | 1  | Flatiron - 50x6  | 2307 mm | 5,44 kg  |                    |
| 5  | 1  | Flatiron - 50x10 | 2307 mm | 9,07 kg  |                    |
| 4  | 1  | T 50x50          | 2408 mm | 10,58 kg |                    |
| 3  | 2  | T 50x50          | 1691 mm | 14,9 kg  |                    |
| 2  | 3  | Sheet Footplate  |         | 2,02 kg  | Se drawing T388-10 |
| 1  | 1  | Plate T=2mm      |         | 7,73 kg  |                    |
| Po | An | Artikel          | Längd   | Vikt     | Anmärkning         |

|  |                          |                          |
|--|--------------------------|--------------------------|
| <p>Rewot AB<br/>Box 121<br/>732 22 Arboga<br/>www.rewot.se</p> | STATUS<br>Tillverkning   |                          |
|  | INTERNT NUMMER<br>388    | PROJEKTNUMMER<br>388     |
| BESTÄLLARE<br>MOELVEN ByggModul                                |                          | DATUM<br>2013-05-20      |
| PROJEKT<br>Skagernhuset Årsta<br>Skärmvägg                     |                          |                          |
| PROJEKTERINGSANSVARIG<br>Per Gustavsson                        | DESIGN<br>ML             | LITT./DET.               |
| PROJEKTANSVARIG<br>Mikael Liljeholm                            | TELEFON<br>070-283 48 20 | ORIG. FORMAT<br>A3       |
|  | SKALA<br>1 : 15          | RITNINGNUMMER<br>T388-E9 |
|  |                          | REV.                     |