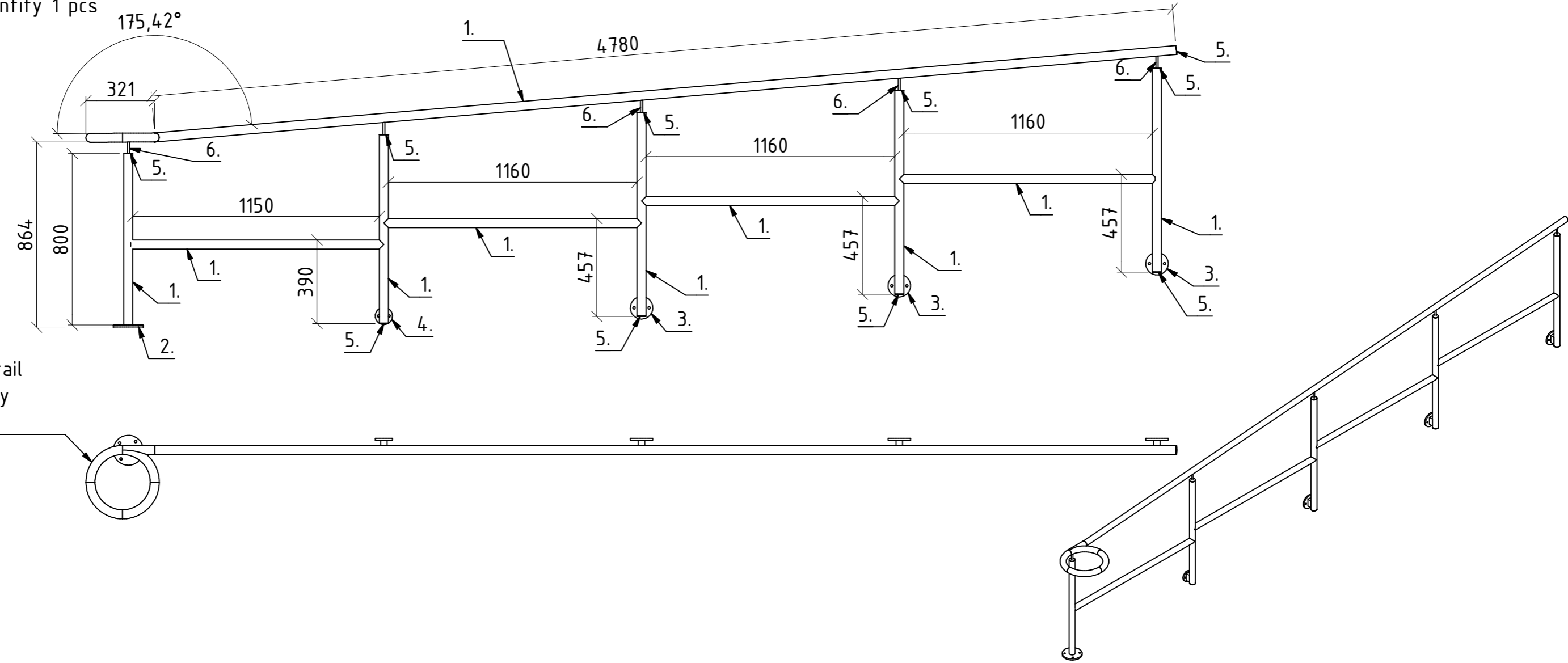
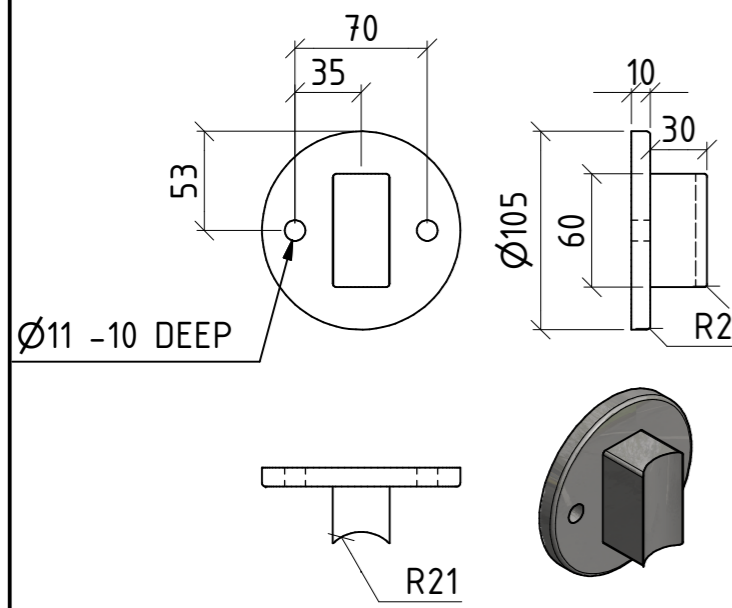


Räcke till ramp
 Element 12
 Quantity 1 pcs

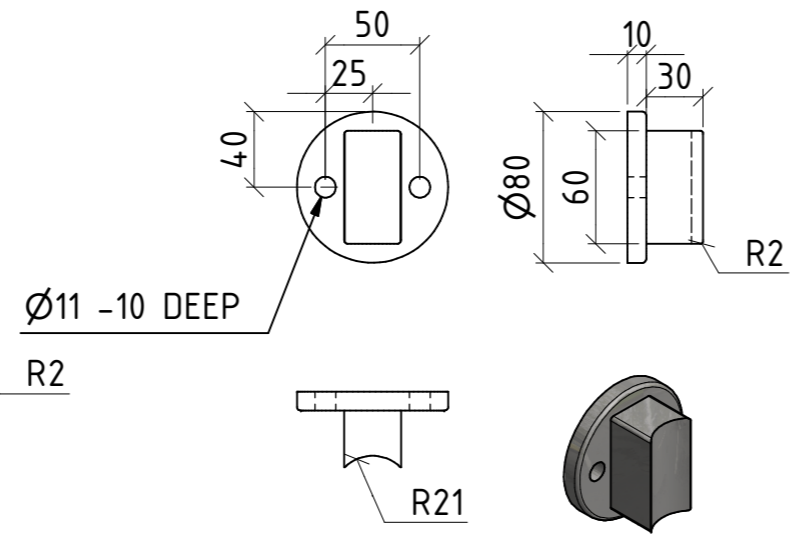


1. Round detail
 Deliverd by
 Rewot

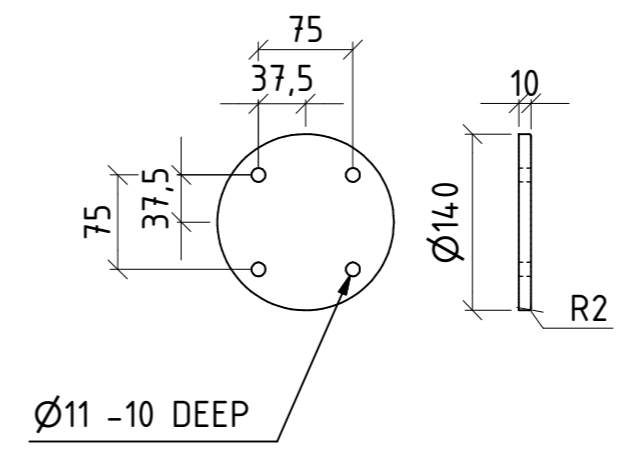
3. Footplate Ø105



4. Footplate Ø80



2. Footplate Ø140



Surface treatment
 Stainless steel

- 1. Round pipe Ø42,2
- 2. Footplate Ø140
- 3. Footplate Ø105
- 4. Footplate Ø80
- 5. Lock stainless steel
- 6. Roundsteel Ø10

	STATUS		
	Tillverkning		
Rewot AB tel 0589 198 65 Box 121 fax 0589 198 85 732 22 Arboga info@rewot.se www.rewot.se	INTERNET NUMMER	PROJEKTNUMMER	DATUM
	406	406	2013-08-19
PROJEKTERINGSANSVARIG Christian Engberg	DESIGN		LITT./DET.
	C.E		
PROJEKTNUMMER	TELEFON	ORIG. FORMAT	SKALA
406	070-283 48 20		1 : 20
PROJEKT	RITINGSNUMMER	REV.	
Lindkvist	T406-E12		
Kv. Östern			
Räcke till ramp			